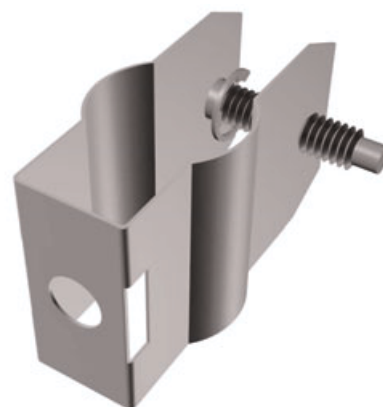


Hangers

STANDARD HANGERS

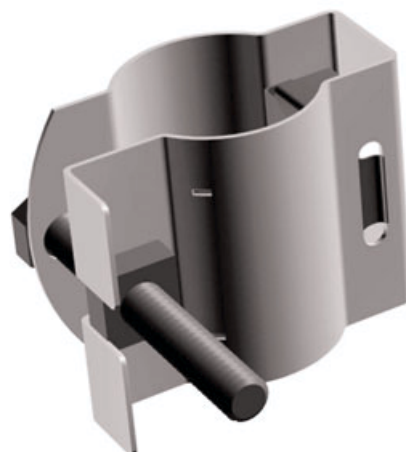
- App : Coax Support
 Mounts to : 7/16" (11.1 mm) pre-punched hole
 Size : 3/8" to 1 5/8" coax
 Material : Stainless steel
 Design : Pre-formed bolt-on single run hanger
 Incl : Hangers and set bolts
 Feature : Reduced installation
 Order Sep.: Hanger hardware kits and additional accessories



Cable type	Reference
1/2"	EU-BHS12NH
7/8"	EU-BHS78NH
1 1/4"	EU-BHS114NH
1 5/8"	EU-BHS158NH

BUTTERFLY HANGERS

- App : Coax Support
 Mounts to : 7/16" (11.1 mm) pre-punched hole
 Size : see Binder
 Material : Stainless steel
 Design : Bolt-on single run hanger
 Incl : Hangers and set bolts
 Feature : Traditional hanger solution
 Order Sep.: Hanger hardware kits and additional accessories

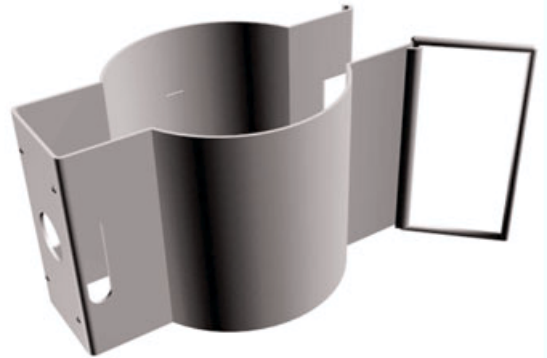


Cable type	Reference
1/2"	EU-BH12NH
7/8"	EU-BH78NH
1 1/4"	EU-BH114NH
1 5/8"	EU-BH158NH

Hangers

CLIP HANGERS

- App : Coax Support
 Mounts to : 7/16" (11.1 mm) pre-punched hole
 Size : 1/2" to 1 5/8" coax
 Material : Stainless steel
 Design : Clip-on single run hanger
 Incl : Hangers and set bolts
 Feature : Easy-to-install solution
 Order Sep.: Hanger hardware kits and additional accessories



Cable type	Reference
1/2"	EU-CH12
7/8"	EU-CH78
1 1/4"	EU-CH114
1 5/8"	EU-CH158

UNIVERSAL SNAP-IN HANGERS

- App : Coax Support
 Mounts to : 3/8" (19 mm) holes
 Size : 1/2" to 2 1/4" coax
 Material : Stainless steel
 Design : One-piece hanger solution
 Incl : Hangers
 Feature : Simplifies coax installation
 Order Sep.: Additional mounting accessories



Cable type	Reference
1/2"	EU-SH12L
7/8"	EU-SH78L
1 1/4"	EU-SH114L
1 5/8"	EU-SH158L
2 1/4"	EU-SH214L