



TECHNICAL DATA SHEET

50 ohm connectors

Kabelwerk **EUPEN** AG

Rev.: 00/2005-10-27

cable

1/2

ECC- New Eucatec™ RF cables clamps with lock nut

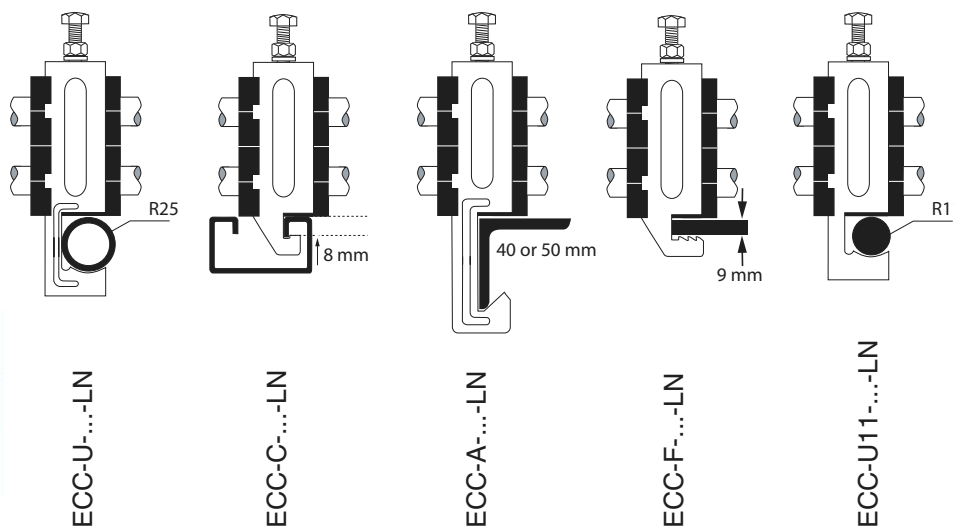
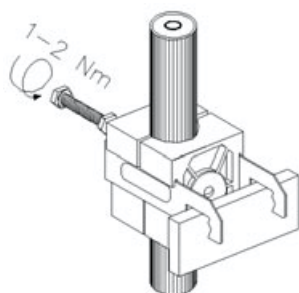


FEATURES

- High durability given by non-corrosive metal components of V2A stainless steel and calibrated saddles from ultraviolet and aging-resistant polyamide.
- Installable at "C"-profile rails common in radio systems as well as flat sections to a maximum of 25 mm thickness and tubes up to a diameter of 25 mm. (according to clamp type)
- Easy handling; the cable clamps (single type) consist of merely two elements
- **New** inlet design with crotchet on both sides to retain the saddles in the clamp while fixing the cable.
- Protection of the cable against a possible harm through the tensioning screw is ensured since the screw is combined firmly with the polyamide shell.
- Extra-secure hold is achieved by the use of a lock nut.
- Test installations with fixing torques of maximum 2 Nm showed secure hold without deformation of the cable and change of the transmission characteristics (TDR measurements)

SUITABLE PROFILE TYPES

- Standard C-Profile
- Flat sections
- Pipes
- Right angle



CONTACTS

RF Sales
 Technical information
rf_products@eupen.com

Commercial information
rf_sales@eupen.com



TECHNICAL DATA SHEET

50 ohm connectors

Kabelwerk **EUPEN** AG

Rev.: 00/2005-10-27

cable

2/2

ECC- New Eucatec™ RF cables clamps with lock nut

Type	Number of cables per clamp	RG8, RG213, 213RT5, EC400, RG11	1/4" Hiflex	1/4"	1/2" Hiflex	1/2"	5/8"	7/8"	1 1/4"	1 5/8"	2 1/4"
ECC-U-...	1	1xRG8-LN	1x1/4-LN	1x1/2H-LN	1x1/2-LN	1x5/8-LN	1x7/8-LN	1x1/4-LN	1x1 1/4-LN	1x1 5/8-LN	1x2 1/4-LN
	2	2xRG8-LN	2x1/4-LN	2x1/2H-LN	2x1/2-LN	2x5/8-LN	2x7/8-LN	2x1/4-LN	2x1 1/4-LN	2x1 5/8-LN	2x2 1/4-LN
	3	3xRG8-LN	3x1/4-LN	3x1/2H-LN	3x1/2-LN	3x5/8-LN	3x7/8-LN	3x1/4-LN	3x1 1/4-LN	3x1 5/8-LN	3x2 1/4-LN
ECC-C-...	1	1xRG8-LN	1x1/4-LN	1x1/2H-LN	1x1/2-LN	1x5/8-LN	1x7/8-LN	1x1/4-LN	1x1 1/4-LN	1x1 5/8-LN	1x2 1/4-LN
	2	2xRG8-LN	2x1/4-LN	2x1/2H-LN	2x1/2-LN	2x5/8-LN	2x7/8-LN	2x1/4-LN	2x1 1/4-LN	2x1 5/8-LN	2x2 1/4-LN
	3	3xRG8-LN	3x1/4-LN	3x1/2H-LN	3x1/2-LN	3x5/8-LN	3x7/8-LN	3x1/4-LN	3x1 1/4-LN	3x1 5/8-LN	3x2 1/4-LN
ECC-A40-...	1	1xRG8-LN	1x1/4-LN	1x1/2H-LN	1x1/2-LN	1x 5/8-LN	1x 7/8-LN	1x 7/8-LN	1x1 1/4-LN	1x1 5/8-LN	1x2 1/4-LN
	2	2xRG8-LN	2x1/4-LN	2x1/2H-LN	2x1/2-LN	2x5/8-LN	2x7/8-LN	2x7/8-LN	2x1 1/4-LN	2x1 5/8-LN	2x2 1/4-LN
	3	3xRG8-LN	3x1/4-LN	3x1/2H-LN	3x1/2-LN	3x5/8-LN	3x7/8-LN	3x7/8-LN	3x1 1/4-LN	3x1 5/8-LN	
ECC-A50-...	1	1xRG8-LN	1x1/4-LN	1x1/2H-LN	1x1/2-LN	1x5/8-LN	1x7/8-LN	1x7/8-LN	1x1 1/4-LN	1x1 5/8-LN	1x2 1/4-LN
	2	2xRG8-LN	2x1/4-LN	2x1/2H-LN	2x1/2-LN	2x5/8-LN	2x7/8-LN	2x7/8-LN	2x1 1/4-LN	2x1 5/8-LN	2x2 1/4-LN
	3	3xRG8-LN	3x1/4-LN	3x1/2H-LN	3x1/2-LN	3x5/8-LN	3x7/8-LN	3x7/8-LN	3x1 1/4-LN	3x1 5/8-LN	
ECC-F-...	1	1xRG8-LN	1x1/4-LN	1x1/2H-LN	1x1/2-LN	1x5/8-LN	1x7/8-LN	1x7/8-LN	1x1 1/4-LN	1x1 5/8-LN	1x2 1/4-LN
	2	2xRG8-LN	2x1/4-LN	2x1/2H-LN	2x1/2-LN	2x5/8-LN	2x7/8-LN	2x7/8-LN	2x1 1/4-LN	2x1 5/8-LN	2x2 1/4-LN
	3	3xRG8-LN	3x1/4-LN	3x1/2H-LN	3x1/2-LN	3x5/8-LN	3x7/8-LN	3x7/8-LN	3x1 1/4-LN	3x1 5/8-LN	3x2 1/4-LN
ECC-U11-...	1	1xRG8-LN		1x1/4H-LN							
	2	2xRG8-LN		2x1/4H-LN							
	3	3xRG8-LN		3x1/4H-LN							
	4	4xRG8-LN		4x1/4H-LN							

