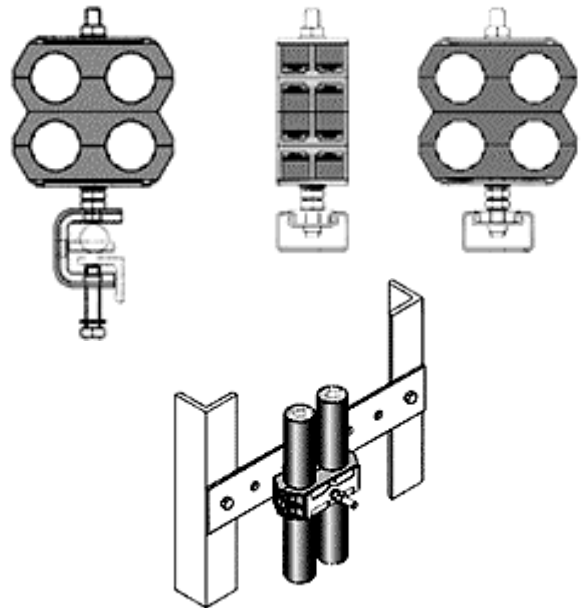




EUCATEC™ RF CABLES CLAMP MCC Type



Suitable profile types



Features

- High durability given by non corrosive metal components of V2A stainless steel with ultraviolet and aging resistant synthetic material for the saddle.
- Easy handling due to the modular elements; up to six cables could be fixed.
- Cable clamp with central fastening bold and fastening clamp.

- Standard C Profile
- Flat sections
- Right angle

Contacts

RF Sales

Technical information

rf_products@eupen.com

Commercial information

rf_sales@eupen.com

