



TECHNICAL DATA SHEET

Passive Components

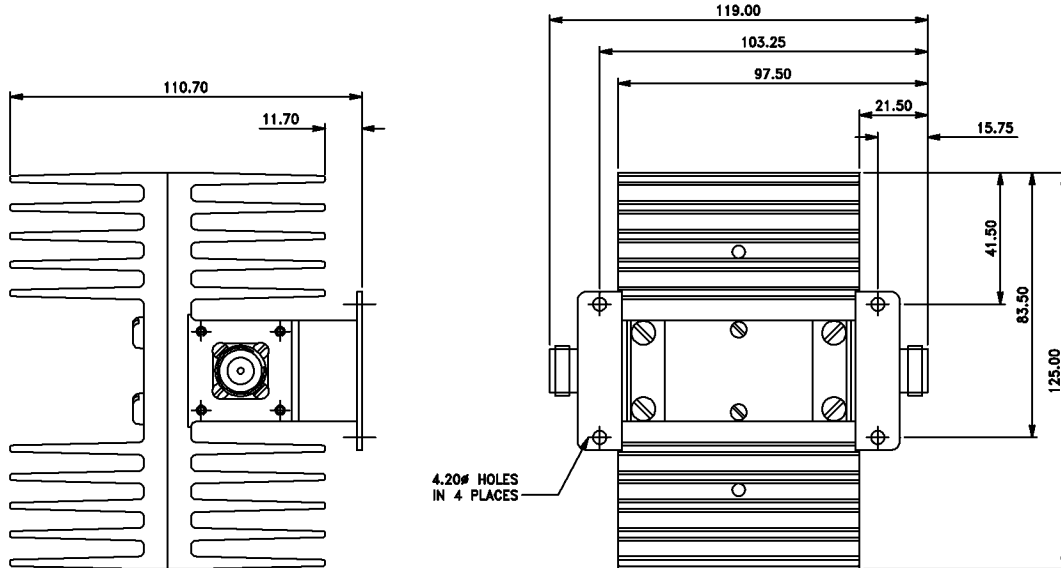
Kabelwerk | **EUPEN** AG

Rev.: 00/2005-08-18

cable

EPC-FA Fixed Attenuators 100 Watt

• Attenuation Value	dB	2	3	4	5	6	9	10	20	30
• Part Number N-Type F/F		EPC FA-A 100 107	EPC FA-A 100 108	EPC FA-A 100 109	EPC FA-A 100 110	EPC FA-A 100 111	EPC FA-A 100 112	EPC FA-A 100 113	EPC FA-A 100 114	EPC FA-A 100115
• Part Number 7/16 DIN F/F		EPC FA-A 100 116	EPC FA-A 100 117	EPC FA-A 100 118	EPC FA-A 100 119	EPC FA-A 100 120	EPC FA-A 100 121	EPC FA-A 100 122	EPC FA-A 100 123	EPC FA-A 100 124
• Part Number 7/16 DIN F/F		EPC FA-A 100 125	EPC FA-A 100 126	EPC FA-A 100 127	EPC FA-A 100 128	EPC FA-A 100 129	EPC FA-A 100 130	EPC FA-A 100 131	EPC FA-A 100 132	EPC FA-A 100 133
• Part Number 7/16 DIN F/F		EPC FA-A 100 134	EPC FA-A 100 135	EPC FA-A 100 136	EPC FA-A 100 137	EPC FA-A 100 138	EPC FA-A 100 139	EPC FA-A 100 140	EPC FA-A 100 141	EPC FA-A 100 142
• Attenuation Accuracy	dB	± 0.5								
• Return Loss	dB	18								
• Frequency Range	MHz	DC to 2500 MHz								
• Impedance	Ω	50								
• Operating Temperature Range	°C	-20 to +55								
• Weigh N-Type	kg	1.138								
• Weigh 7/16 DIN	kg	1.250								
• Finish		Matt Black Anodised								



FINISH : BLACK ANODISE TO BS1615 AA10

WEIGHT : 1.4kg

CONNECTOR'S : 2 N'TYPE FEMALE

All measurements in mm