



# TECHNICAL DATA SHEET

## Passive Components

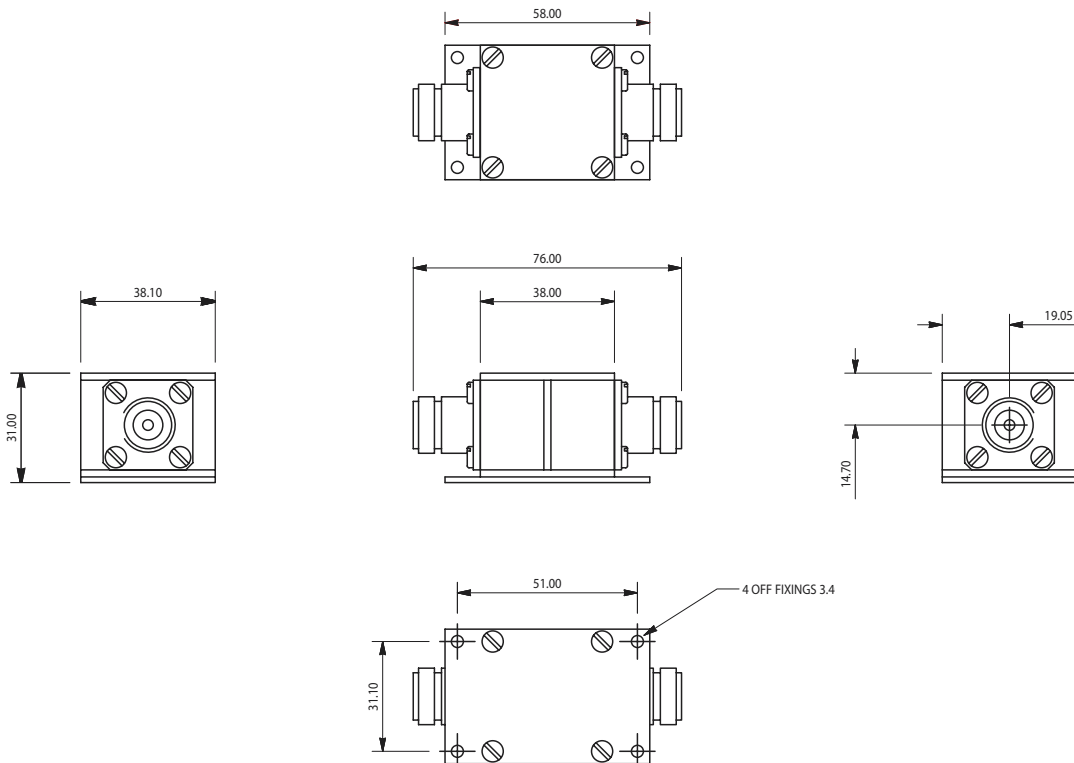
Kabelwerk **EUPEN** AG

Rev.: 00/2005-10-26

cable

# EPC DC Isolators

• Frequency Range	MHz	50 to 2200		
• Part Number (N-Type) Female		EPC DB-A 01		
• Part Number (7/16 DIN) Female		EPC DB-A 02		
• Insertion Loss	dB	<0.1 (50 to 500 MHz)	<0.2 (800 to 1000 MHz)	<0.4 (1700 to 2200 MHz)
• DC Isolation (inner -inner) (outer-outer) (inner-outer)	kV	1, 2, 1.4 (dependant upon connector)		
• VSWR		<1.2:1		
• Power Rating	W	250		
• Impedance	$\Omega$	50		
• Operating Temperature Range	$^{\circ}\text{C}$	-30 to +65		
• Weigth	kg	0.5		
• Environmental		IP54 standard and IP65		
• Connectors		N-Type or 7/16 DIN (Female)		
• Colour		Black (RAL 9005)		
• Mechanical		Suitable for Pole or Wall Mount		



All measurements in mm

